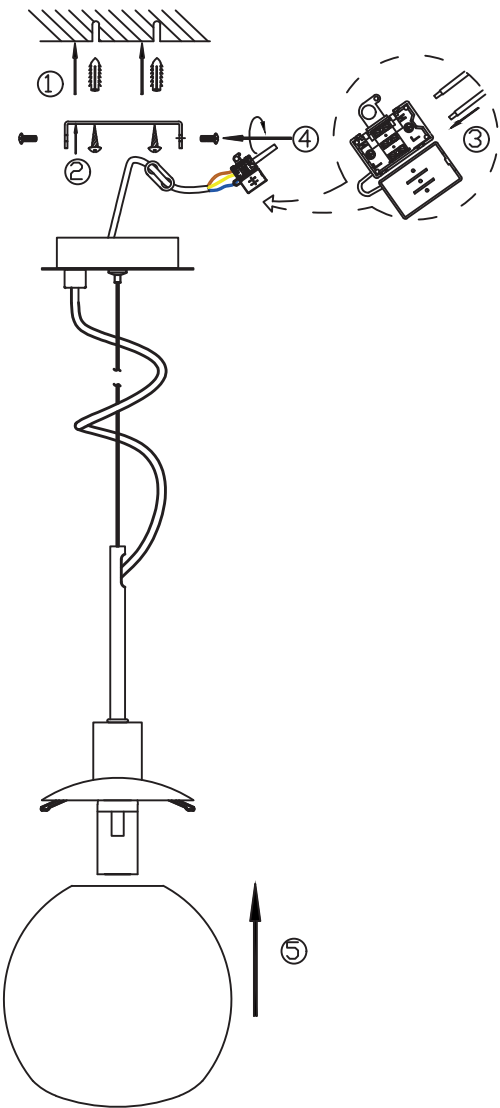
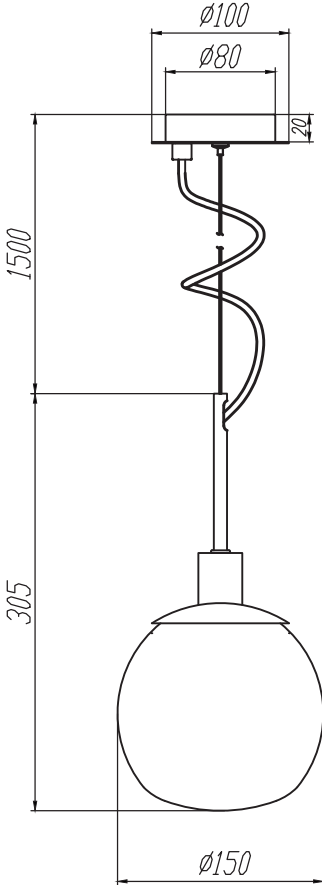



# Instruction



Collection: Modern  
Series: Erich  
Model: MOD221-PL-01-G  
Pendant lamp

 – Pendant lamp



  
1 x E14 (40w)

**MAYTONI**  
DECORATIVE LIGHTING  
[www.maytoni.de](http://www.maytoni.de)