



ASSEMBLY INSTRUCTION

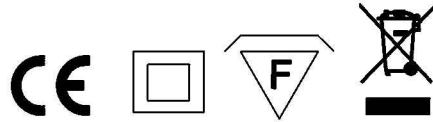
инструкция A3007PL-2WH



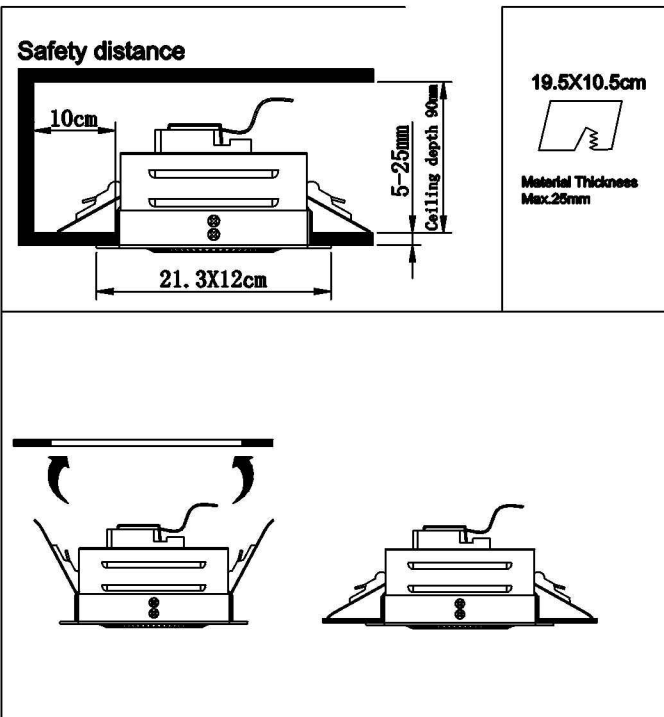
TECHNICAL SPECIFICATION

Voltage	: AC110-240V
Frequency	: 50/60Hz
Light source	: LED 2x7W (COB)
IP Protection	: IP20
MODEL	: A3007PL-2WH

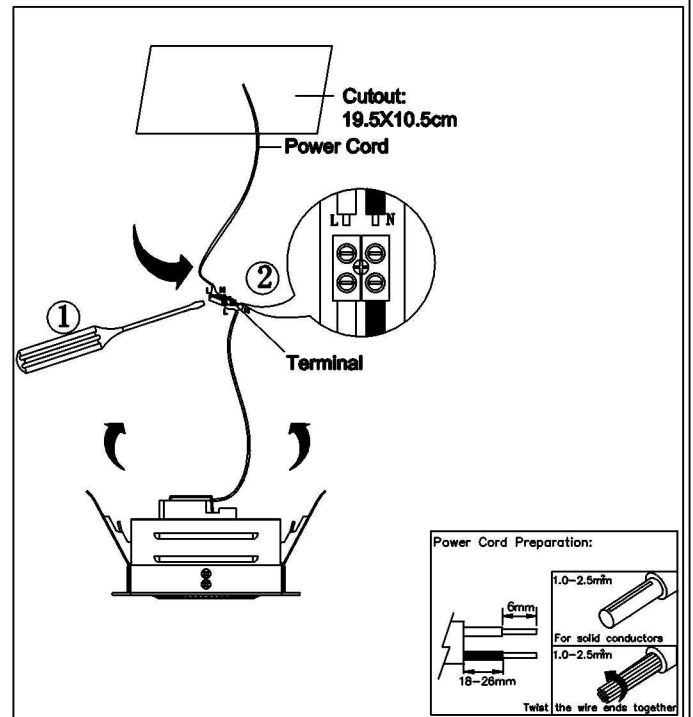
INSTALLATION



(1) Mounting



(2) Cable and lamp installation



CAUTION

- We recommend installation to be done by your local licensed and qualified electricity.
- $\varnothing 0.1m$ The minimum distance from the illuminated object is 0.1m
- Do not touch the illuminated light source so as not to burn.
- Please switch off the power source before installation or replacement.
- To be applied on indoor application only.

CLEANING

- Disconnect the power source before cleaning.

MAINTENANCE

- Do not disassemble the product by yourself.
- Please contact qualified electricity for services or questions.